

ILLUSTRATED PARTS LIST

MODEL NUMBER MC55Y21RA

PRODUCT NUMBER 961 41 00-28

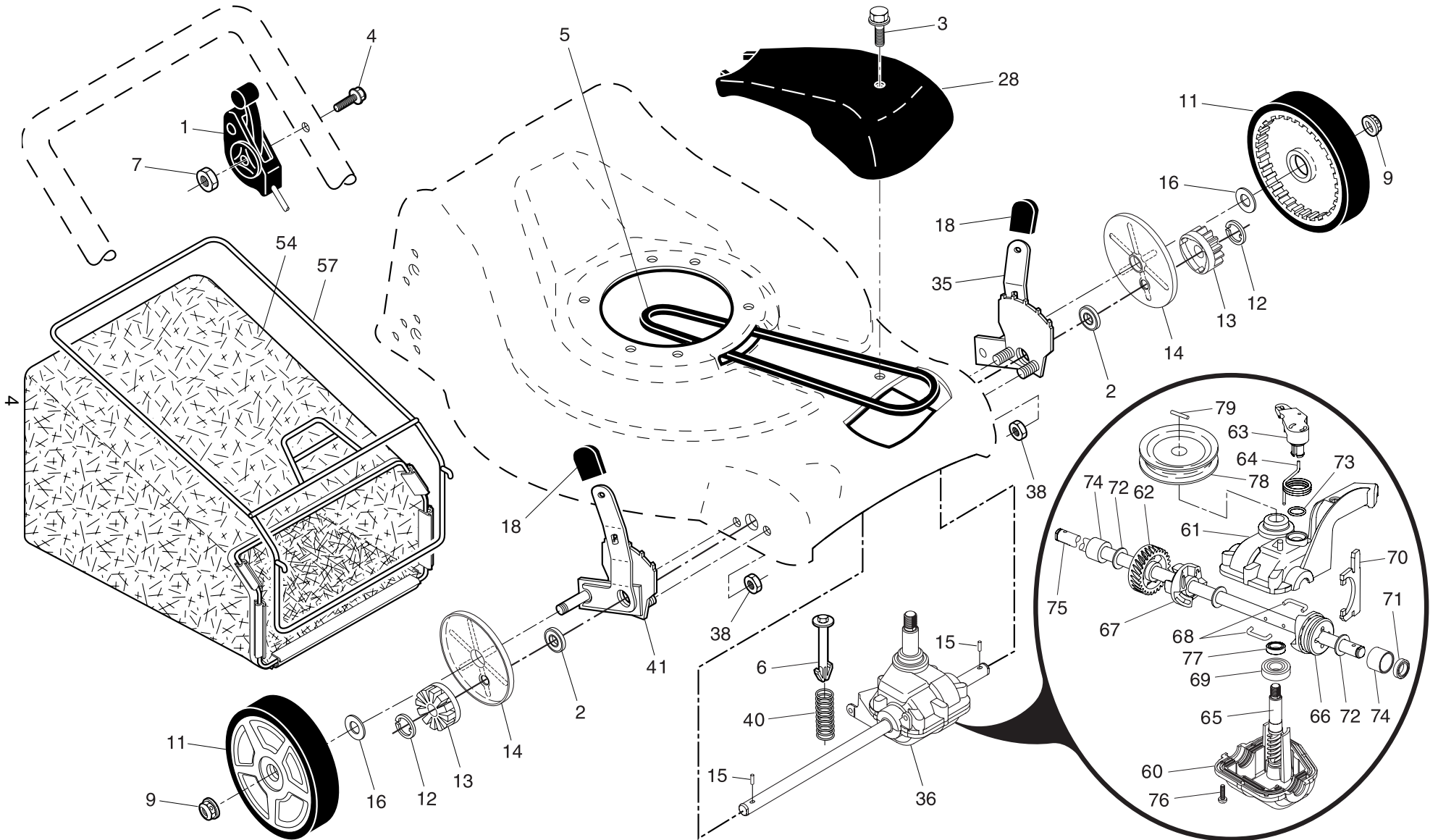
MFG. ID. NUMBER 96141002804

ROTARY LAWN MOWER - - MODEL NUMBER MC55Y21RA (96141002804) PRODUCT NUMBER 961 41 00-28

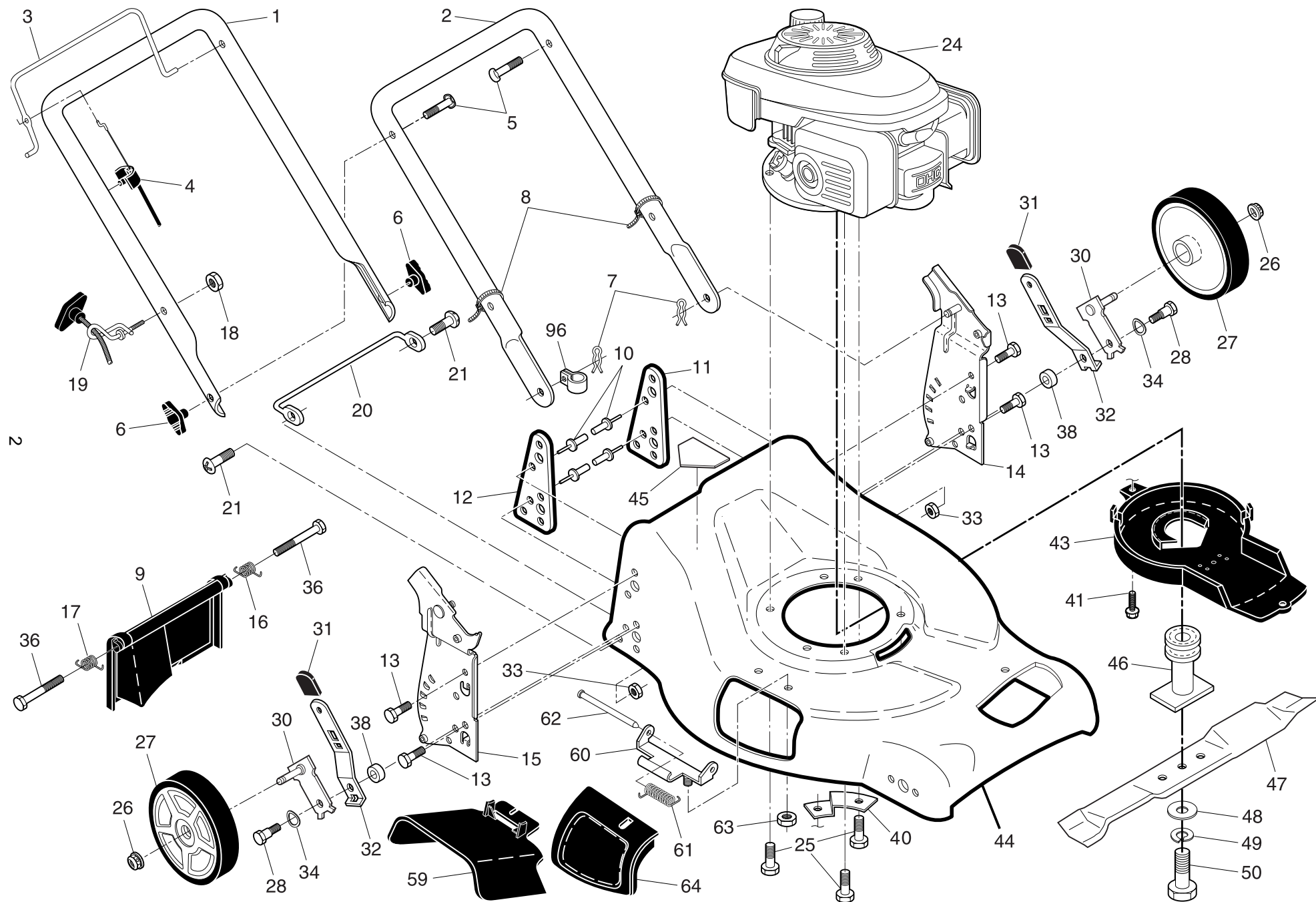
KEY NO.	PART NO.	DESCRIPTION	KEY NO.	PART NO.	DESCRIPTION
1	532 40 29-37	Upper Handle	28	532 40 16-38	Shoulder Bolt 5/16-18 x .33
2	532 15 36-05	Lower Handle	30	532 41 21-74	Axle Arm Assembly, Rear
3	532 18 99-03	Control Bar	31	532 08 78-77	Selector Knob
4	532 18 35-67	Engine Zone Control Cable	32	532 41 08-88	Selector Spring
5	532 19 15-74	Handle Bolt	33	532 19 85-41	Nut, Hex
6	532 19 19-38	Handle Knob	34	532 40 16-30	Washer, Curved, Cylindrical
7	532 05 17-93	Hairpin Cotter	36	532 18 41-93	Bolt, Hex Head
8	532 06 64-26	Wire Tie	38	532 40 16-29	Spacer
9	532 40 69-05	Rear Door Assembly	40	532 19 09-39	Mounting Bracket, Debris Shield
10	532 12 84-15	Pop Rivet	41	532 19 23-25	Screw
11	532 41 05-40	Support Bracket, LH	43	532 40 58-45	Debris Shield
12	532 41 05-42	Support Bracket, RH	44	532 40 96-36	Kit, Lawn Mower Housing (Includes Key Numbers 10, 11, 12 and 45)
13	817 06 04-10	Screw 1/4-20 x 5/8	45	532 18 21-66	Danger Decal
14	532 19 01-54	Handle Bracket Assembly, LH	46	532 40 46-33	Blade Adapter / Pulley
15	532 19 01-53	Handle Bracket Assembly, RH	47	532 19 93-77	Blade, 21"
16	532 40 54-17	Spring, Rear Door, LH	48	532 85 10-74	Hardened Washer
17	532 40 54-18	Spring, Rear Door, RH	49	532 85 02-63	Helical Washer 3/8-24 x 1-3/8 Grade 8
18	532 13 20-04	Keps Locknut 1/4-20	50	532 85 10-84	Hex Head Machine Screw 3/8-24 x 1-3/8 Grade 8
19	532 19 47-88	Rope Guide	59	532 17 50-71	Discharge Deflector
20	532 41 35-43	Foot Guard, C.E.	60	532 17 57-35	Hinge Bracket
21	817 49 04-16	Screw, Tapping 1/4-20 x 1/2	61	532 19 30-00	Spring, Hinge
24	- - -	Engine, Honda, Model Number GCV160 (order parts from engine manufacturer)	62	532 17 56-50	Hinge Rod
25	532 15 04-06	Hex Head Thread Rolling Screw 3/8-16 x 1-1/8	63	873 80 04-00	Nut, Hex
26	532 40 91-48	Hex Flange Nut	64	532 17 50-66	Mulcher Door
27	532 19 80-87	Wheel & Tire Assembly	96	532 19 79-91	Clip, Cable
			- -	532 40 96-34	Operator's Manual, European

NOTE: All component dimensions given in U.S. inches. 1 inch = 25.4 mm. **IMPORTANT:** Use only Original Equipment Manufacturer (O.E.M.) replacement parts. Failure to do so could be hazardous, damage your lawn mower and void your warranty.

ROTARY LAWN MOWER - - MODEL NUMBER MC55Y21RA (96141002804) PRODUCT NUMBER 961 41 00-28



ROTARY LAWN MOWER - - MODEL NUMBER MC55Y21RA (96141002804) PRODUCT NUMBER 961 41 00-28



ROTARY LAWN MOWER - - MODEL NUMBER MC55Y21RA (96141002804) PRODUCT NUMBER 961 41 00-28

KEY NO.	PART NO.	DESCRIPTION	KEY NO.	PART NO.	DESCRIPTION
1	532 18 45-88	Drive Control Assembly (Includes Cable)	54	532 40 43-46	Grassbag Assembly
2	532 19 10-39	Bearing, Wheel Adjuster	57	532 40 18-02	Frame, Grassbag
3	532 17 52-62	Pan Head Tapping Screw #10-24 x 2-3/4	60	532 18 34-97	Case, Lower
4	532 15 87-55	Hex Washer Head Screw 1/4-20 x 2.12	61	532 18 34-98	Case, Upper
5	532 17 54-36	V-Belt	62	532 18 34-99	Gear, 27 Teeth
6	532 15 04-95	Spring Retainer	63	532 18 35-00	Lever, Clutch
7	532 19 17-30	Locknut, Hex #10-24	64	532 18 35-01	Spring, Return
9	532 40 91-48	Locknut, Hex	65	532 18 35-02	Shaft, Input
11	532 19 80-88	Wheel & Tire Assembly	66	532 18 35-03	Dog, Movable
12	812 00 00-58	E-Ring	67	532 18 35-04	Dog, Fixed
13	532 40 38-49	Pinion	68	532 18 35-05	Wire, Formed
14	532 18 94-03	Dust Cover	69	532 18 35-06	Bearing, Ball
15	532 19 10-17	Pawl	70	532 18 35-07	Fork, Shift
16	532 06 77-25	Washer 1/2 x 1-1/2 x .134	71	532 18 35-08	Seal, Output Shaft
18	532 08 78-77	Selector Knob	72	532 18 35-09	Washer
28	532 18 14-67	Drive Cover	73	532 18 35-10	Seal, Case
35	532 40 88-62	Kit, Wheel Adjuster, LH (Includes Knob and Bearing)	74	532 18 35-11	Bushing
36	532 19 92-05	Gearcase Assembly, Complete	75	532 19 66-13	Shaft, Output
38	873 80 04-00	Locknut, Hex 1/4-20	76	532 18 35-13	Screw
40	532 13 70-90	Spring	77	532 18 35-14	Seal, Input Shaft
41	532 40 88-16	Kit, Wheel Adjuster, RH (Includes Knob and Bearing)	78	532 19 98-52	Pulley, Drive
			79	532 19 94-19	Pin, Retainer

* Use Dow Corning #709 to reseal Gear Case Halves.

NOTE: All component dimensions given in U.S. inches. 1 inch = 25.4 mm. **IMPORTANT:** Use only Original Equipment Manufacturer (O.E.M.) replacement parts. Failure to do so could be hazardous, damage your lawn mower and void your warranty.